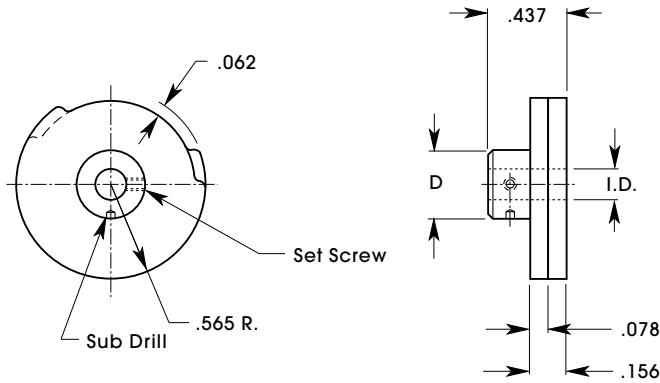
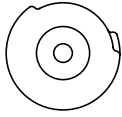


# ADJUSTABLE CAM ASSEMBLIES

Pin Type

Shafts .1200 thru 1/4

303 Stainless Steel—Clear Passivate

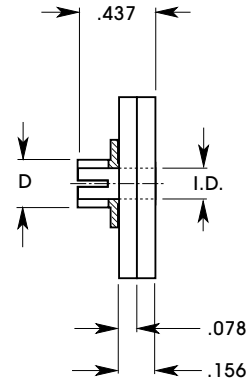
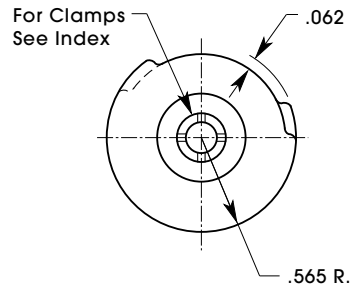
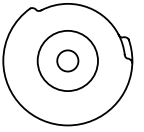


SHAFT SIZE	I.D. +.0005 -.0000	D	SET SCREW	SUB DRILL	CATALOG NUMBER
1/8	.1248	5/16	#2-56	.029	CA1
3/16	.1873	3/8	#4-40	.040	CA2
1/4	.2498	1/2	#6-32	.086	CA3
.120	.1200	5/16	#2-56	.029	CA4

Special Bores on Request

# ADJUSTABLE CAM ASSEMBLIES

Clamp Type  
 Shafts .1200 thru 1/4  
 303 Stainless Steel—Clear Passivate

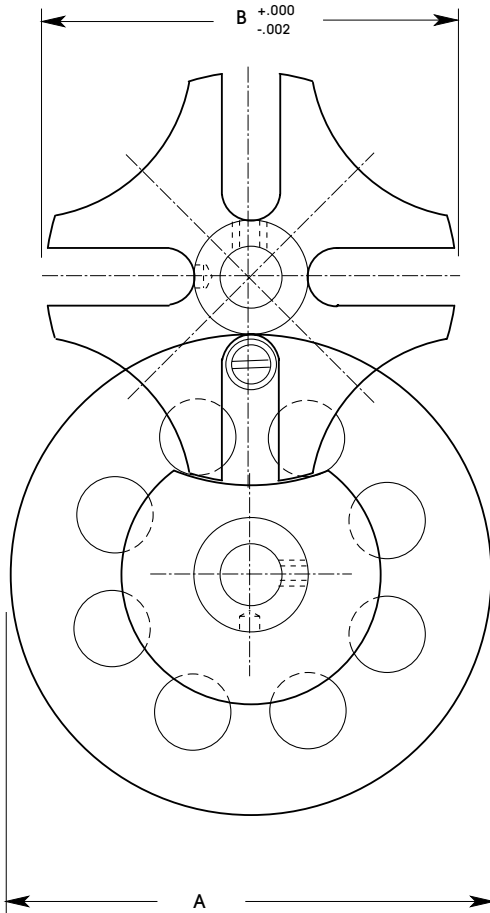
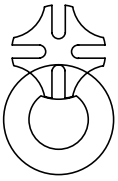


SHAFT SIZE	I.D. +.0005 -.0000	D +.003 -.000	CATALOG NUMBER
1/8	.1248	.250	CA5
3/16	.1873	.312	CA6
1/4	.2498	.375	CA7
.120	.1200	.250	CA8

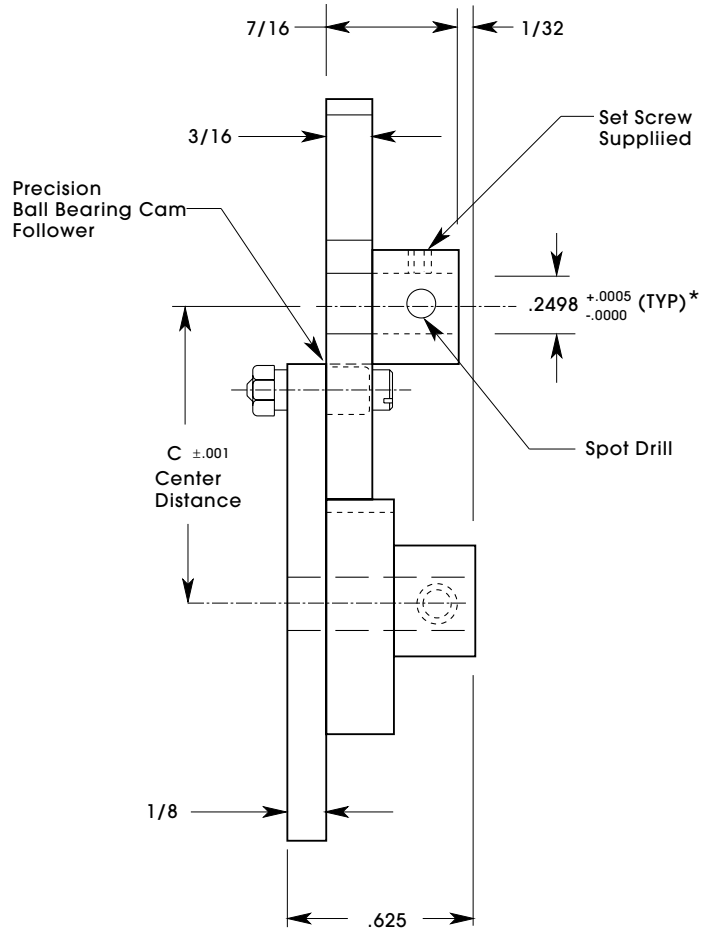
Special Bores on Request

# GENEVA MECHANISM

1/4 Shaft • 5/16 Shaft  
 4 • 5 • 6 • 8 Point  
 Stainless Steel



4 Point Drive



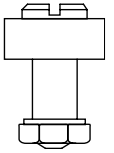
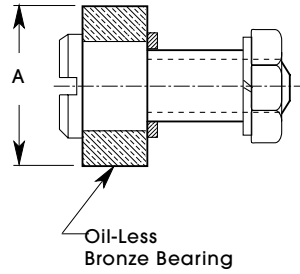
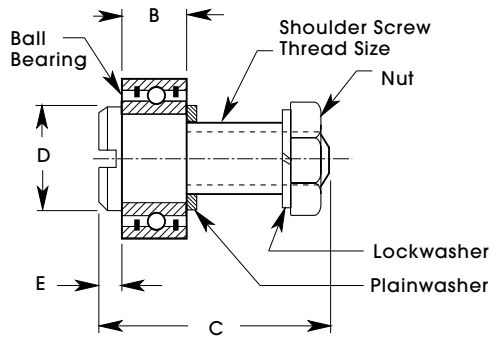
**Material:**  
 Stainless Steel

\* For 5/16" Bore  
 add x to Part #

NO. ROLLERS ON DRIVER	RELATIVE ROTATION		POINTS ON DRIVEN	A	B	C	MAX TORQUE (IN OZ)	MAX OPER.	CAT NO
	DRIVER TO DRIVEN								
ONE	360°	90°	4	2-1/4	1.971	1.384	71	35	SE1MG- 1R
TWO	180°	90°	4		2.470	1.5187	110	55	SE2MG- 1R SE2MG- 2R
ONE	360°	72°	5	2-1/2	3.468	1.9970	175	87	SE3MG- 1R
TWO	360°	72°	5		4.083	2.2056	240	120	SE3MG- 2R SE4MG- 2R
ONE	360°	60°	6	2	4.083	2.2056	240	120	SE4MG- 1R
TWO	180°	60°	6		4.083	2.2056	240	120	SE4MG- 2R
ONE	360°	45°	8	2	4.083	2.2056	240	120	SE4MG- 1R
TWO	180°	45°	8		4.083	2.2056	240	120	SE4MG- 2R

# CAM FOLLOWER

Bronze Bearing • Ball Bearing  
Stainless Steel

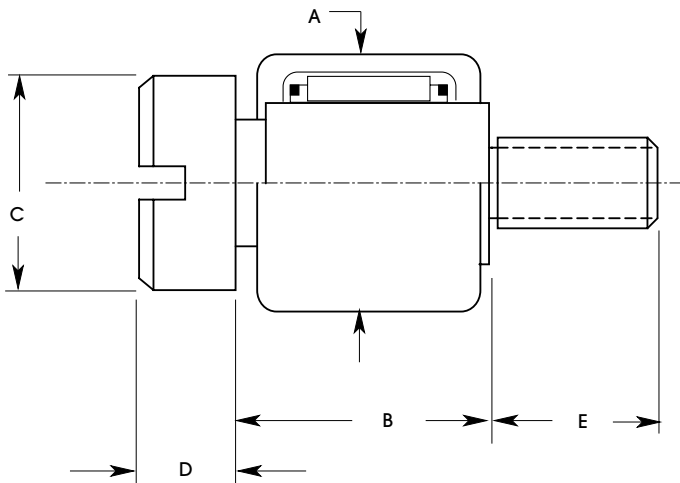


A	B	C	D	E	SCREW SIZE	BEARING TYPE	CATALOG NUMBER
.2500	.109	.484	3/16	1/8	#4-40	BALL BEARING ABEC-5 SHIELDED	SE 1 EJ
.3125	.140	.578	7/32	1/8	#4-40		SE 2 EJ
.3750	.156	.593	1/4	1/8	#4-40		SE 3 EJ
.5000	.196	.727	5/16	5/32	#8-32		SE 4 EJ
.6250	.196	.852	3/8	5/32	#10-32		SE 5 EJ
.2500	.140	.484	5/32	3/32	#2-56		SE 6 EJ
.3125	.140	.484	3/16	3/32	#2-56		SE 7 EJ
.2500	.109	.484	3/16	1/8	#4-40		SE 1 HPEJ*
.2500	.093	.483	3/16	1/8	#4-40	BRONZE BEARING	SEBEJ - 1
.3750	.140	.593	1/4	1/8	#4-40		SEBEJ - 2
.5000	.180	.727	5/16	5/32	#8-32		SEBEJ - 3
.6250	.180	.852	3/8	5/32	#10-32		SEBEJ - 4

\*Hardened Steel

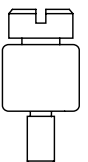
# HIGH LOAD CAM FOLLOWER

Roller Bearing



**Material :**

- Screw - 416 Stainless Steel
- Roller Cup - Case Hardened Steel
- Needle Bearings - 52100 Hardened Steel
- Bearing Cage - Low Carbon Steel



A	B	C	D	E	SCREW SIZE	CATALOG NUMBER
.2500	.250	1/4	1/8	5/32	#4-40	SEREJ - 1
.3438	.250	5/16	5/32	3/16	#8-32	SEREJ - 2
.3438	.375	5/16	5/32	3/16	#8-32	SEREJ - 3
.4375	.250	3/8	3/16	1/4	#10-32	SEREJ - 4
.5000	.312	7/16	7/32	7/16	#1/4-20	SEREJ - 5
.5625	.312	1/2	1/4	1/2	#5/16-18	SEREJ - 6
.5625	.625	1/2	1/4	1/2	#5/16-18	SEREJ - 7
.6875	.750	5/8	5/16	5/8	#3/8-16	SEREJ - 8